

# Product Specifications

## SM58® Cardioid Dynamic Microphone

### Overview

The legendary SM58® is an industry-standard, highly versatile cardioid dynamic vocal microphone that is consistently the first choice of vocal performers around the globe. Even in extreme conditions, the SM58 is tailored to target the main sound source while minimizing background noise, delivering warm and clear vocal reproduction.

### Features

- Frequency response tailored for vocals, with brightened midrange and bass rolloff
- Uniform cardioid pickup pattern isolates the main sound source and minimizes background noise
- Pneumatic shock-mount system cuts down handling noise
- Effective, built-in spherical wind and pop filter
- Supplied with break-resistant stand adapter which rotates 180 degrees
- Legendary Shure quality, ruggedness and reliability
- Cardioid (unidirectional) dynamic
- Frequency response: 50 to 15,000 Hz

### Available Models

<b>SM58-LC</b>	Includes Stand Adapter and Zippered Pouch
<b>SM58-CN</b>	Includes 7.6 m (25 ft) XLR-Male to XLR-Female Cable, Swivel Adapter and a Zippered Pouch
<b>SM58S</b>	Includes Integrated On/Off Switch, Swivel Adapter and a Zippered Pouch

### Specifications

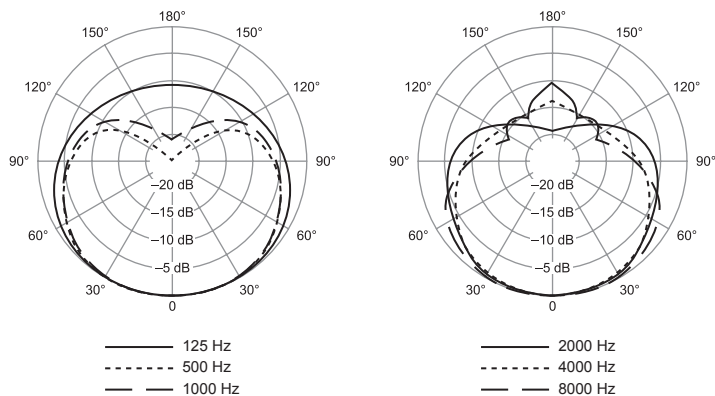
Type	Dynamic
Frequency Response	50 to 15,000 Hz
Polar Pattern	Cardioid
Sensitivity (at 1,000 Hz Open Circuit Voltage)	-54.5 dBV/Pa (1.85 mV) 1 Pa = 94 dB SPL
Impedance	Rated impedance is 150Ω (300Ω actual) for connection to microphone inputs rated low impedance
Polarity	Positive pressure on diaphragm produces positive voltage on pin 2 with respect to pin 3.
Case	Dark gray, enamel-painted, die cast metal; matte-finished, silver colored, spherical steel mesh grille
Connector	Three-pin professional audio connector (male XLR type)
Connector	Three-pin professional audio connector (male XLR type)
Net Weight	298 grams (10.5 oz)
Dimensions	162 mm (6-3/8 in.) L x 51 mm (2 in.) W



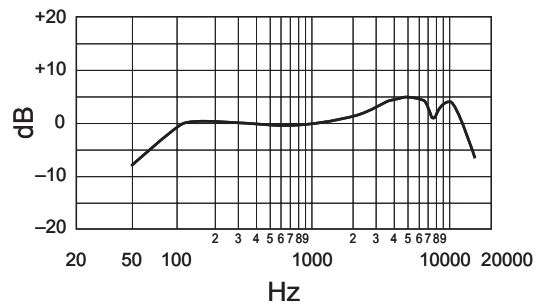
SM58

### Optional Accessories and Replacement Parts

<b>A58WS</b>	Windscreen	<b>A55M</b>	Isolation Mount	<b>C25F</b>	7.6 m Cable (25 ft)
<b>A25D</b>	Microphone Clip	<b>A26M</b>	Dual Mount	<b>RK143G</b>	Screen and Grille
<b>R59</b>	Cartridge	<b>S37A, S39A</b>	Desk Stand		



Polar Pattern



Frequency Response

